

AFSPA PUMP BASIN ASSEMBLIES

APPLICATIONS

AFS Pump Basins Assemblies are designed to house effluent, sewage ejector, or grinder pumps in wastewater pumping systems. AFS Pump Basin Assemblies allow specification, delivery, and installation of a complete pump, basin, and discharge plumbing system in a convenient manufactured package. All internal plumbing is assembled prior to shipment, saving valuable time in the field.



SPECIFICATIONS

Riser Pipe Material:	24" PVC KOR FLO™ or 30" PVC Perma-Loc™ Riser Pipe
Base Material:	FRP encapsulated wood core epoxy bonded to riser pipe
Access Cover Material:	FRP encapsulated wood core with Neoprene gasket and stainless steel fasteners
Basin Capacity:	1.88 gallons/inch
Plumbing Material:	SCH80 PVC
Discharge Fitting:	1.25" or 2" female NPT

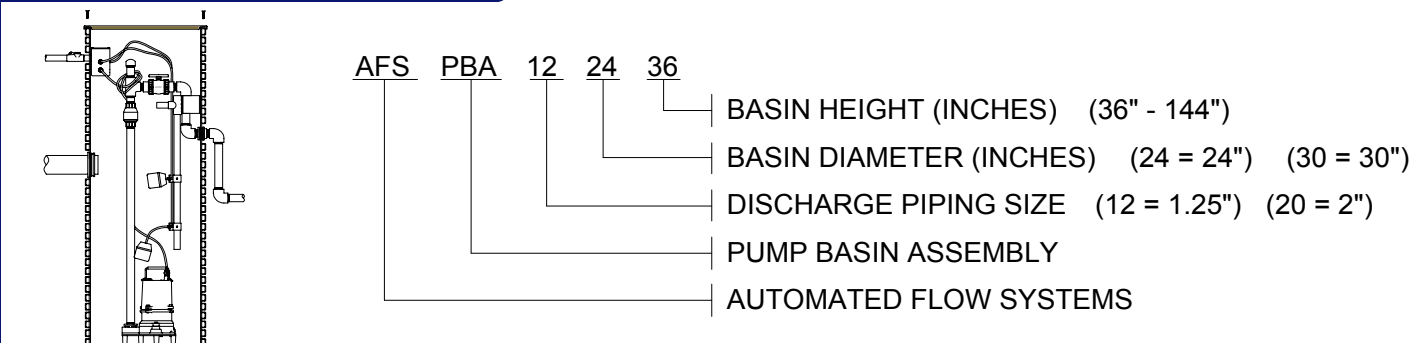
FEATURES

- ◆ SCH80 PVC Plumbing
- ◆ True Union Ball Valve
- ◆ PVC Swing Check Valve
- ◆ Pressure Gauge connection
- ◆ Pipe support bracket
- ◆ Float mounting bracket
- ◆ 24" PVC KOR FLO™ Riser Pipe
- ◆ Orenco Systems® Inc. molded fiberglass base and access cover
- ◆ Stainless steel lid fasteners and wrench included
- ◆ Ty-Seal gasket for 4" inlet pipe included for field installation

OPTIONS

- ◆ Hydromatic Effluent, Sewage Ejector or Grinder pump
- ◆ Float Switch Assembly
- ◆ 1.25" or 2" SCH80 PVC discharge pipe and fittings
- ◆ Available heights from 36" to 144" in 6" increments
- ◆ Insulated lid
- ◆ High Head Turbine Pump Flow Inducer
- ◆ Orenco Systems® Inc. Splice Box (internal or external) installed
- ◆ 30" PVC Perma-Loc™ Riser Pipe

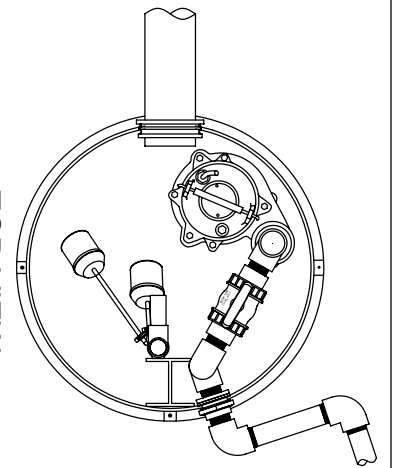
MODEL NUMBERS



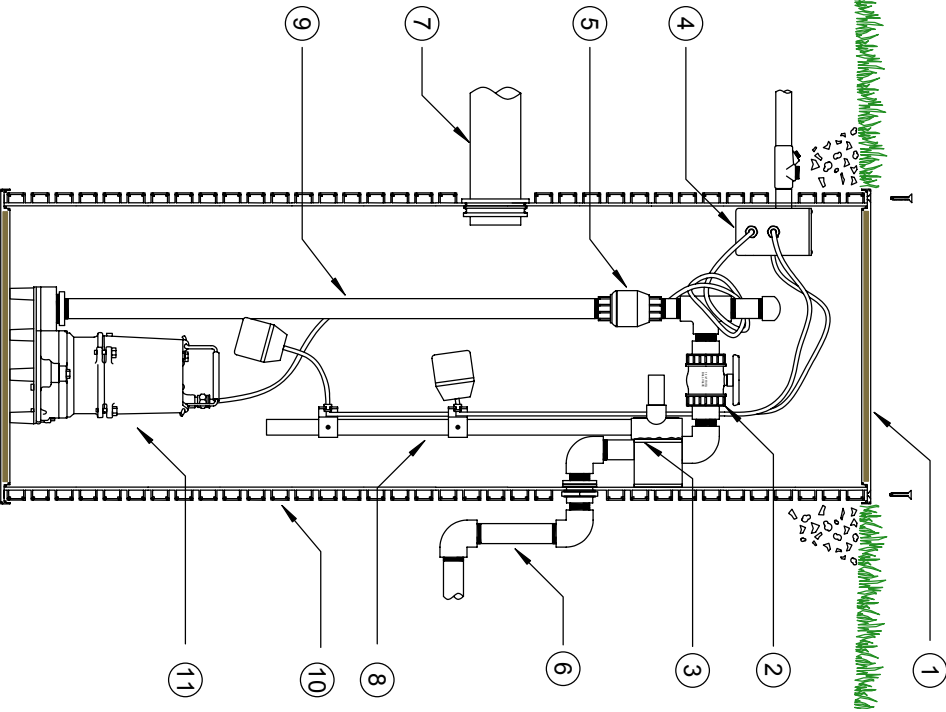
BOISE, ID
208.585.9338
208.585.9338 FAX

COEUR D'ALENE, ID
888.809.6778
208.664.2133
208.667.8775 FAX

SPOKANE, WA
800.359.9416
509.534.5616
509.535.6539 FAX



TOP VIEW



SIDE VIEW

GENERAL NOTES

- ① FIBERGLASS LID W/ TAMPER RESISTANT STAIN-LESS STEEL ANCHORS, AND 2500 LB WHEEL LOAD RATING
- ② PVC TRU-UNION BALL VALVE
- ③ FIBERGLASS PIPING SUPPORT & FLOAT TREE BRACKET
- ④ WATER-TIGHT SPLICE BOX
- ⑤ PVC FLAPPER OR BALL CHECK VALVE
- ⑥ SCH 80 PVC "SWING" JOINT
- ⑦ DISCHARGE LINE FROM HOME
- ⑧ ALARM & CONTROL SIGNAL FLOATS WITH OPTIONAL REDUNDANT OFF
- ⑨ 1-1/4" OR 2" SCH 80 PVC PIPING AND FITTINGS
- ⑩ 24" X _____" PVC KOR-FLO PUMP BASIN
- ⑪ HYDROMATIC EFFLUENT, SEWAGE EJECTOR OR GRINDER PUMP

FEATURES & BENEFITS

CONSTRUCTED EXCLUSIVELY OF NON-CORROSIVE FITTINGS AND FASTENERS
 FACTORY PRE-ASSEMBLED PROVIDING QUALITY CONSTRUCTION & EASY INSTALLATION
 SERVICEABLE DESIGN RESULTING IN LOW COST OF OWNERSHIP



BOISE, ID
208-585-9338

COEUR D' ALENE, ID
888-809-6775
208-664-2133

SPOKANE, WA
800-359-9416
509-534-5616

DRAWN BY: KCW

SCALE: NTS

DATE: 06.17.05

VERSION NO. V1.1

AFSPBA _____

AFS PUMP BASIN ASSEMBLY