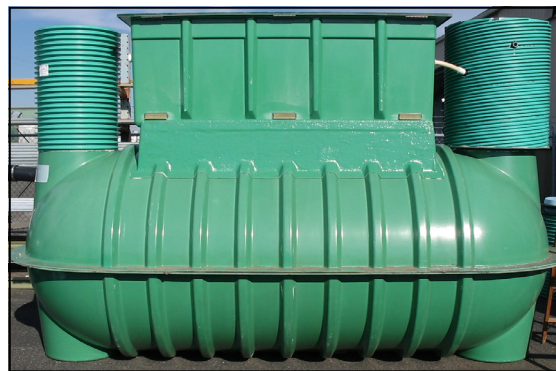


AFSTAAX20 ADVANTEX[®] AX20 TREATMENT PACKAGE

APPLICATIONS

The AFS extended treatment system constructed with Orenco Systems[®], Inc AdvanTex[®] AX20 packed bed filter is the ideal solution where extended treatment of septic tank effluent is required or desired. AdvanTex[®] AX20 Extended Treatment Systems use time proven technology to reduce BOD (Biochemical Oxygen Demand) and TSS (Total Suspended Solids) to extraordinarily low levels, allowing installation into locations that are not permissible with conventional systems. The AdvanTex[®] treatment pod contains extremely effective textile media for treatment and is roughly 21 ft² in size, making it ideal for small or difficult lots. AdvanTex[®] AX20 Extended Treatment Systems can be used in locations that require denitrification (Mode 3). AdvanTex[®] AX20 Extended Treatment Systems can mean the difference in approved or disapproved septic permits.



SPECIFICATIONS

Primary Tank And Treatment Pod Material:
 Primary Tank Capacity:
 Tank Testing:
 Filter Capacity:
 Effluent Screen:
 Dosing Pump:
 Pod Ventilation:
 Access Point:
 Freezing Protection:

Fiberglass Reinforced Polyester (FRP)
 Dual Compartment 1500 gallon
 All tanks are tested 100% watertight before shipment
 AX20 Treatment pod - up to 500 GPD, 1000 GPD peak
 Orenco Systems[®] Inc. Biotube[®] Pump Vault and Screen
 Orenco Systems[®] Inc. P-Series Effluent Pump
 Passive Air Vent
 Heavy duty lids with tamper resistant bolts
 Insulated for cold weather environments

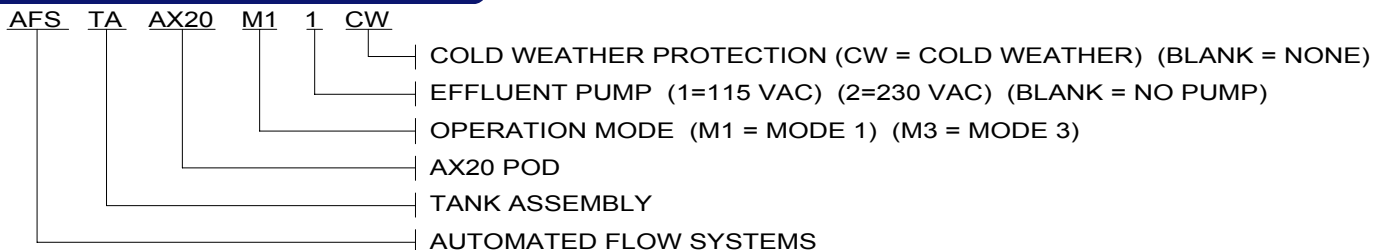
FEATURES

- ◆ Orenco Systems[®] Inc. FRP Dual Compartment Septic Tank
- ◆ AFS Ribbed Risers attach directly to the access openings
- ◆ Inlet sanitary tee with Fernco coupler (installed)
- ◆ Orenco Systems[®] Inc. AX20 Treatment Pod w/ air vent
- ◆ Orenco Systems[®] Inc. Biotube[®] Pump Vault and Screen
- ◆ Orenco Systems[®] Inc. 30 GPM High Head Pump
- ◆ Orenco Systems[®] Inc. Hose and Valve Pump Discharge Assembly
- ◆ Watertight cord penetrations and splices
- ◆ VeriComm[®] control panel with heater for system control and remote monitoring / system adjustments
- ◆ Recirculating Splitter Valve to facilitate 4:1 recirculation ratio

OPTIONS

- ◆ 115 or 230 VAC Pump
- ◆ Drip drainfield
- ◆ Discharge disposal pump

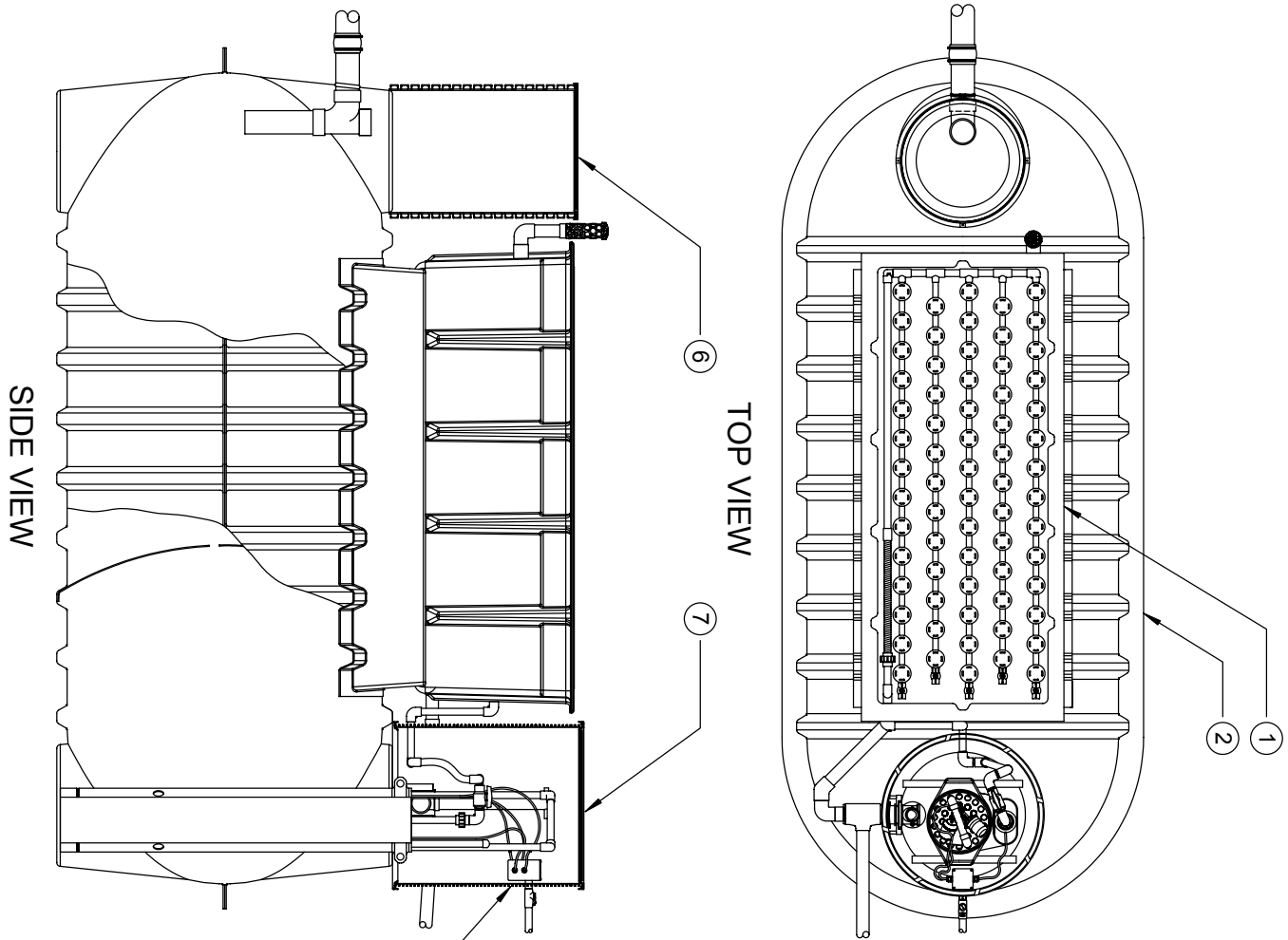
MODEL NUMBERS



BOISE, ID
 208.585.9338
 208.585.9338 FAX

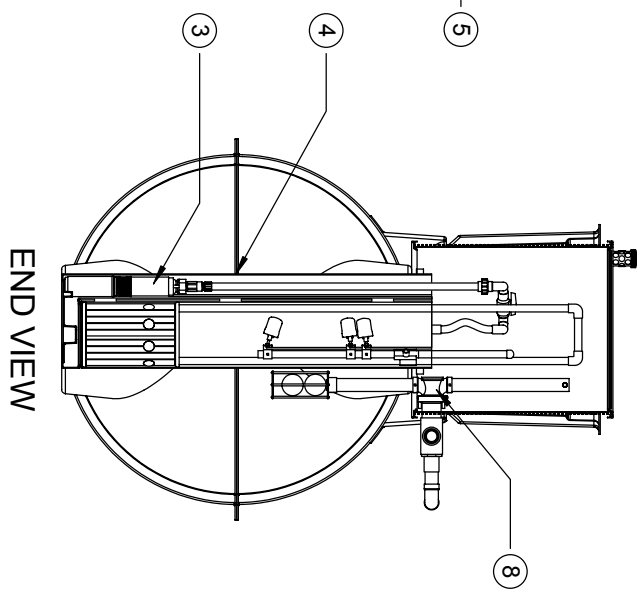
COEUR D'ALENE, ID
 888.809.6778
 208.664.2133
 208.667.8775 FAX

SPOKANE, WA
 800.359.9416
 509.534.5616
 509.535.6539 FAX



GENERAL NOTES

- ① ORENCO SYSTEMS® INC. SEPTIC TANK 1500 GAL FRP TESTED AND GUARANTEED WATERTIGHT
- ② ADVANTEX® AX20 PACKED BED FILTER
- ③ ORENCO SYSTEMS® P-SERIES EFFLUENT PUMP
- ④ ORENCO BIOTUBE® PUMP VAULT AND EFFLUENT SCREEN
- ⑤ ELECTRICAL SPLICE BOX
- ⑥ 24" X 36" ACCESS RISER AND FIBERGLASS LID
- ⑦ 30" X 36" ACCESS RISER AND FIBERGLASS LID
- ⑧ RECIRCULATING SPLITTER VALVE



BOISE, ID
208-585-9338

COEUR D' ALENE, ID
888-809-6775
208-664-2133

SPOKANE, WA
800-359-9416
509-534-5616

DRAWN BY:	KCW
SCALE:	NTS
DATE:	06.21.05
VERSION NO.	V1.0

AFSTAAX20 _____

AFS ORENCO SYSTEMS®, INC ADVANTEX® AX20
EXTENDED TREATMENT SYSTEM

Copyright © 2005